

The Pre'con Model No: PFCI/BV/2047 Breather vent Pipe Away is designed based over 30 years of technical expertise in manufacturing high quality and reliable conservation vent.

The closed vent design is available to Pipe away hazardous vapors which are not allowed to be readily released to atmosphere.

Standard material of construction for body is Cast Aluminium, Cast Steel, Stainless steel 304/316. Seats & Pallets are made of Aluminium, Stainless Steel 304/316. The seats are easily replaceable.

### **Special Features.**

Precon Special "air cushioning" diaphragms are constructed of Teflon. Teflon diaphragms contribute to high resistance to adhesion of ice & gum formation caused by atmospheric moisture and resinous vapors. Thus assuring protection against pallet sticking to the seating surface.

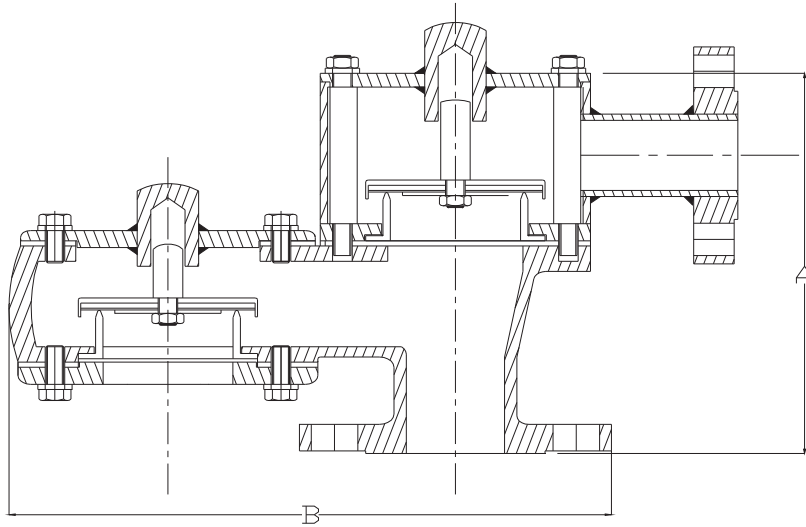
The carefully constructed seat and pallet assembly offer superior combination for High flow capacity with minimum over pressure.

Vertical central guiding system ensures the proper alignment of seating surface and vertical lift of pallet provides maximum flow.

All pre'con products are inspected and tested in house to meet all critical requirements of customer.

The venting capacities certified in accordance with API /ISO and EN standard.





PFCI / BV / 2047

**TABLE – 1 SELECTION OF MATERIAL**

DESCRIPTION	A	B	C	D
Body	Cast Aluminium	CS	A 351 CF8	A351 CF8M
Seat	SS304	SS304	SS304	SS316
Diaphragm	PTFE	PTFE	PTFE	PTFE
Stem	SS304	SS304	SS304	SS316
Side Discharge	A 106 Gr B/A 36	A 106 Gr B/A 36	SS304	SS316
Screen	Stainless Steel	Stainless Steel	Stainless Steel	Stainless Steel
Fastners	MS Zinc plated	MS Zinc plated	SS304	SS316

Any special materials like Teflon coating, FRP coating, Poly Propylene, Hast alloy, upon request.

**TABLE – 2 SELECTION OF PALLET MATERIAL**

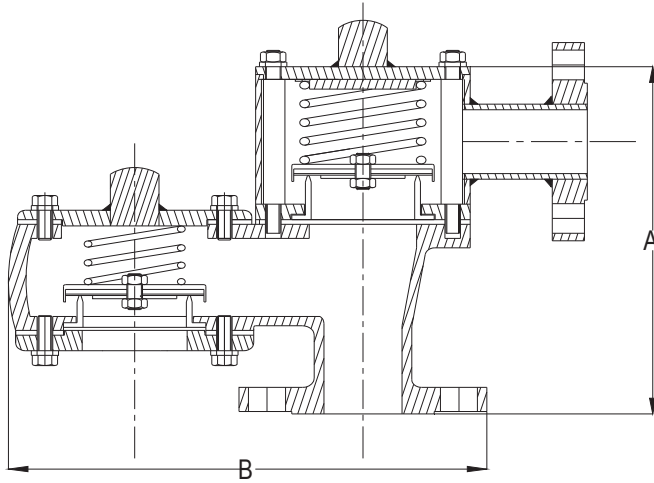
DESCRIPTION	A	B	C
Set Pressure in mm Wc	15 to 30	30 to 100	100 to 400
Set Vacuum in mm Wc	15 to 30	30 to 100	100 to 400
Pallet Material	Aluminum	Stainless Steel	Stainless Steel with additional weight

Any special materials like Teflon coating, FRP coating, Hast alloy, Poly Propylene, Titanium upon request.

End connections : ANSI, DIN, JIS,BS & IS

Size: 1" NB to 12" NB

Mounting Holes are straddle centerline.



[PFCI / BV /2047 / SL](#)

**TABLE – 1 SELECTION OF MATERIAL**

DESCRIPTION	A	B	C	D
Body	Cast Aluminium	CS	A 351 CF8	A351 CF8M
Seat	SS304	SS304	SS304	SS316
Diaphragm	PTFE	PTFE	PTFE	PTFE
Stem	SS304	SS304	SS304	SS316
Side Discharge	A 106 Gr B/A 36	A 106 Gr B/A 36	SS304	SS316
Screen	Stainless Steel	Stainless Steel	Stainless Steel	Stainless Steel
Fasteners	MS Zinc plated	MS Zinc plated	SS304	SS316
Spring	CS Cadmium plated	CS Cadmium plated	SS304	SS316

Any special materials like Teflon coating, FRP coating, Poly Propylene, Hastalloy, upon request.

**TABLE – 2 SELECTION OF PALLET MATERIAL**

DESCRIPTION	A	B	C
Set Pressure in mm Wc	500 to 10000	500 to 10000	50 to 400
Set Vacuum in mm Wc	50 to 400	500 to 8000	500 to 8000
Pallet Material Type	Stainless Steel Pressure Spring Loaded Vacuum Weight Loaded	Stainless Steel Pressure & Vacuum Spring Loaded	Stainless Steel Pressure Weight Loaded Vacuum Spring Loaded

Any special materials like Teflon coating, FRP coating, Hastalloy, Poly Propylene, Titanium upon request.

End connections : ANSI, DIN, JIS,BS & IS

Size : 1” NB to 12” NB

Mounting Holes are straddle centerline.

**BREATHER VALVE (PIPE AWAY ) WITH N2 INLET CONNECTION**  
**MODEL NO: PFCI/BV/2047**

**The Pre'con Model No: PFCI/BV/2047 Breather vent Pipe Away is designed based over 30 years of technical expertise in manufacturing high quality and reliable conservation vent.**

**The closed vent design is available to Pipe away hazardous vapors which are not allowed to be readily released to atmosphere. The Nitrogen inlet connection is provided at Vacuum Port for in breathing of Nitrogen to the tank in vacuum condition.**

Standard material of construction for body is Cast Aluminium, Cast Steel, Stainless steel 304/316. Seats & Pallets are made of Aluminium, Stainless Steel 304/316. The seats are easily replaceable.

**Special Features.**

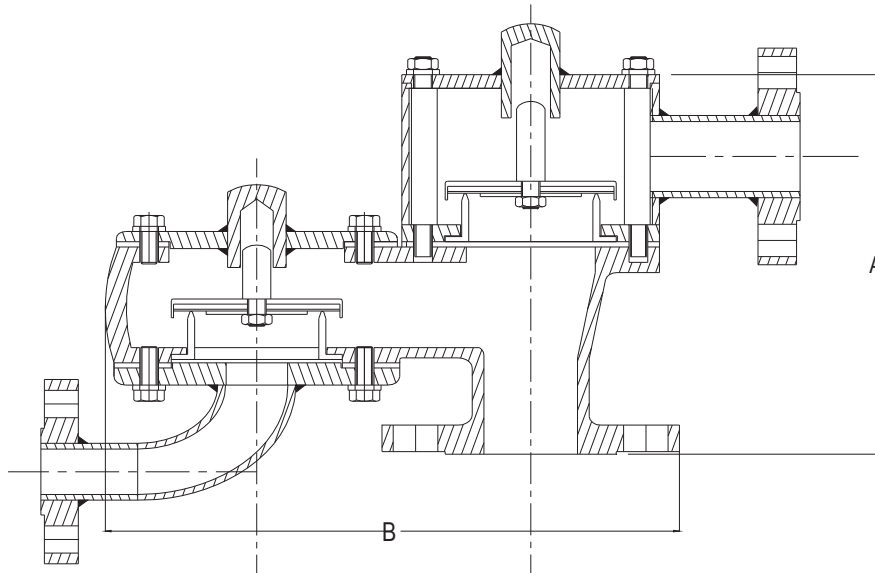
Precon Special “air cushioning” diaphragms are constructed of Teflon. Teflon diaphragms contribute to high resistance to adhesion of ice & gum formation caused by atmospheric moisture and resinous vapors. Thus assuring protection against pallet sticking to the seating surface.

The carefully constructed seat and pallet assembly offer superior combination for High flow capacity with minimum over pressure.

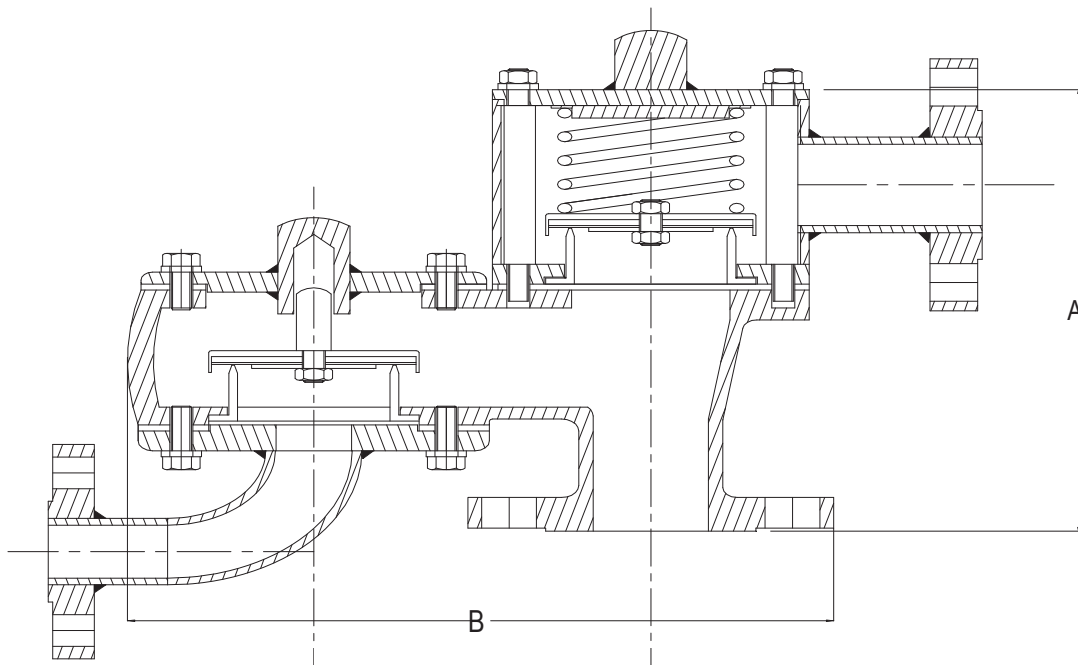
Vertical central guiding system ensures the proper alignment of seating surface and vertical lift of pallet provides maximum flow.

All pre'con products are inspected and tested in house to meet all critical requirements of customer.





PFCI / BV / 2047 ( Pipe Away With N2 Inlet Connection)



PFCI / BV / 2047 ( Pipe away with N2 Inlet Connection)  
(Pressure spring loaded Vacuum Weight Loaded)

**Model No : PFCI/BV/2047**

**TABLE – 1 SELECTION OF MATERIAL**

<b>DESCRIPTION</b>	<b>A</b>	<b>B</b>	<b>C</b>	<b>D</b>
Body	Cast Aluminium	CS	A 351 CF8	A351 CF8M
Seat	SS304	SS304	SS304	SS316
Diaphragm	PTFE	PTFE	PTFE	PTFE
Stem	SS304	SS304	SS304	SS316
Side Discharge	A 106 Gr B / A 36	A 106 Gr B / A 36	SS304	SS316
Screen	Stainless Steel	Stainless Steel	Stainless Steel	Stainless Steel
Fasteners	MS Zinc plated	MS Zinc plated	SS304	SS316

Any special materials like Teflon coating, FRP coating, Poly Propylene, Hast alloy, upon request.

**TABLE – 2 SELECTION OF PALLET MATERIAL**

<b>DESCRIPTION</b>	<b>A</b>	<b>B</b>	<b>C</b>
Set Pressure in mm Wc	15 to 30	30 to 100	100 to 400
Set Vacuum in mm Wc	15 to 30	30 to 100	100 to 400
Pallet Material	Aluminum	Stainless Steel	Stainless Steel with additional weight

Any special materials like Teflon coating, FRP coating, Hast alloy, Poly Propylene, Titanium upon request.

End connections : ANSI, DIN, JIS,BS & IS

Size: 1” NB to 12” NB

Mounting Holes are straddle centerline.

**MODEL No: PFCI/BV/2047****TABLE – 1 SELECTION OF MATERIAL**

<b>DESCRIPTION</b>	<b>A</b>	<b>B</b>	<b>C</b>	<b>D</b>
Body	Cast Aluminium	CS	A 351 CF8	A351 CF8M
Seat	SS304	SS304	SS304	SS316
Diaphragm	PTFE	PTFE	PTFE	PTFE
Stem	SS304	SS304	SS304	SS316
Side Discharge	A 106 Gr B /A 36	A106 Gr B /A 36	SS304	SS316
Screen	Stainless Steel	Stainless Steel	Stainless Steel	Stainless Steel
Fasteners	MS Zinc plated	MS Zinc plated	SS304	SS316
Spring	CS Cadmium plated	CS Cadmium plated	SS304	SS316

Any special materials like Teflon coating, FRP coating, Poly Propylene, Hastalloy, upon request.

**TABLE – 2 SELECTION OF PALLET MATERIAL**

<b>DESCRIPTION</b>	<b>A</b>	<b>B</b>	<b>C</b>
Set Pressure in mm Wc	500 to 10000	500 to 10000	50 to 400
Set Vacuum in mm Wc	50 to 400	500 to 8000	500 to 8000
Pallet Material Type	Stainless Steel Pressure Spring Loaded Vacuum Weight Loaded	Stainless Steel Pressure & Vacuum Spring Loaded	Stainless Steel Pressure Weight Loaded Vacuum Spring Loaded

Any special materials like Teflon coating, FRP coating, Hastalloy, Poly Propylene, Titanium upon request.

End connections : ANSI, DIN, JIS,BS & IS

Size: 1” NB to 12” NB

Mounting Holes are straddle centerline.