

The Pre'con Model No: PFCI/BV/2046 Breather vent is designed based over 30 years of technical expertise in manufacturing high quality and reliable conservation vent.

The continual improvements in design provides the optimum combination of reliability, High flow capacity and low leakage rate suitable for variety of service.

Standard material of construction for body is Cast Aluminium, Cast Steel, Stainless steel 304/316. Seats & Pallets are made of Aluminium, Stainless Steel 304/316. The seats are easily replaceable.

Special Features.

Precon Special "air cushioning" diaphragms are constructed of Teflon. Teflon diaphragms contribute to high resistance to adhesion of ice & gum formation caused by atmospheric moisture and resinous vapors. Thus assuring protection against pallet sticking to the seating surface.

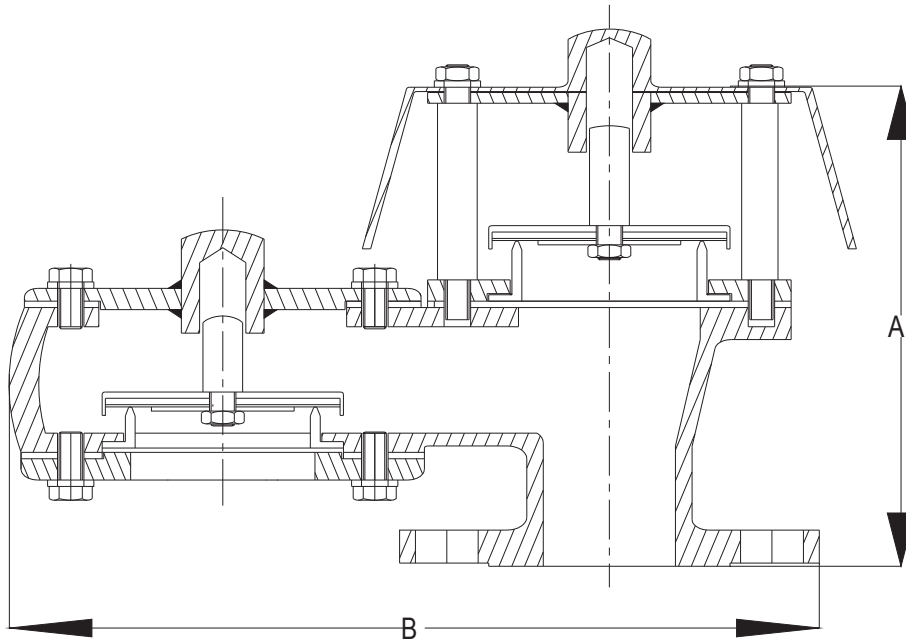
The carefully constructed seat and pallet assembly offer superior combination for High flow capacity with minimum over pressure.

Vertical central guiding system ensures the proper alignment of seating surface and vertical lift of pallet provides maximum flow.

All pre'con products are inspected and tested in house to meet all critical requirements of customer.

The venting capacities certified in accordance with API /ISO and EN standard.





PFCI / BV / 2046

TABLE – 1 SELECTION OF MATERIAL

DESCRIPTION	A	B	C	D
Body	Cast Aluminium	CS	A 351 CF8	A351 CF8M
Seat	SS304	SS304	SS304	SS316
Diaphragm	PTFE	PTFE	PTFE	PTFE
Stem	SS304	SS304	SS304	SS316
Weather hood	Aluminum	Aluminum	Aluminum	Aluminum
Screen	Stainless Steel	Stainless Steel	Stainless Steel	Stainless Steel
Fasteners	MS Zinc plated	MS Zinc plated	SS304	SS316

Any special materials like Teflon coating, FRP coating, Poly Propylene, Hast alloy, upon request.

TABLE – 2 SELECTION OF PALLET MATERIAL

DESCRIPTION	A	B	C
Set Vacuum in mm Wc	15 to 30	30 to 100	100 to 400
Pallet Material	Aluminum	Stainless Steel	Stainless Steel with additional Weight

Any special materials like Teflon coating, FRP coating, Hast alloy, Poly Propylene, Titanium upon request.

End connections : ANSI, DIN, JIS,BS & IS

Size: 1" NB to 12" NB

Mounting Holes are straddle centerline.

The Pre'con Model No: PFCI/BV/2046 Breather vent Spring loaded is designed based over 30 years of technical expertise in manufacturing high quality and reliable conservation vent.

This valve meets the need of High pressure setting required on storage tanks, Process Vessels and piping.

Higher Set pressure accommodate using a spring loaded design which provides reliable operation. The Vacuum is provided with weight loaded vertical lift pallet assembly which assure required flow of air in to the tank/vessel.

Standard material of construction for body is Cast Aluminium, Cast Steel, Stainless steel 304/316. Seats & Pallets are made of Aluminium, Stainless Steel 304/316. The seats are easily replaceable.

Special Features.

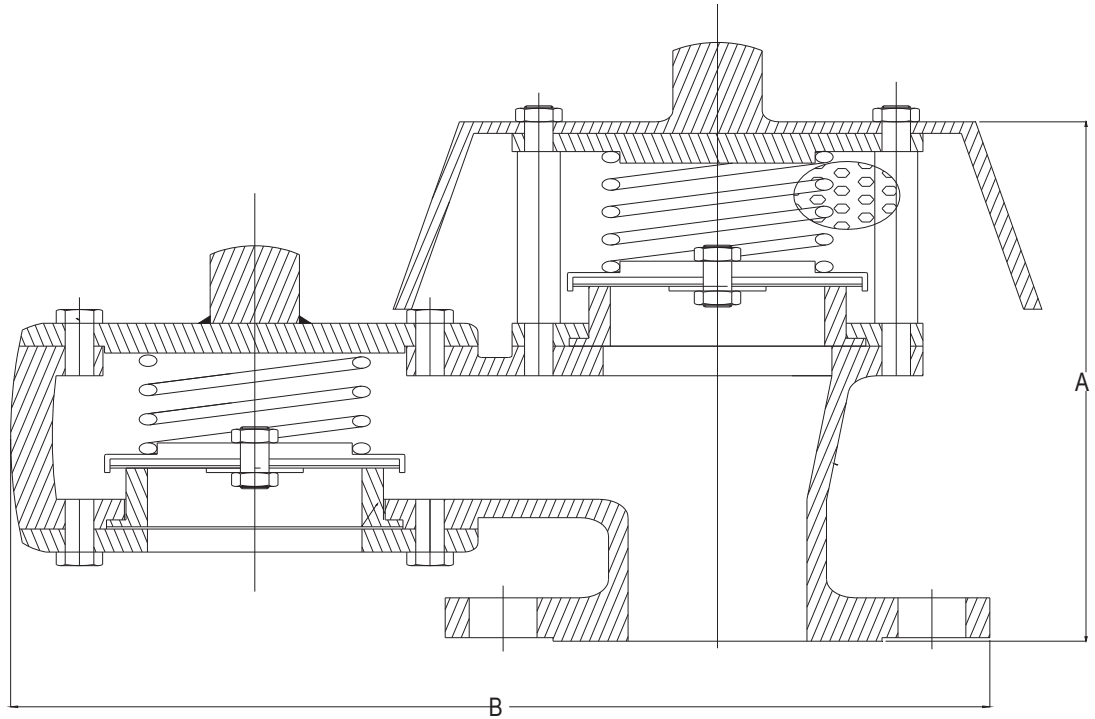
Precon Special "air cushioning" diaphragms are constructed of Teflon. Teflon diaphragms contribute to high resistance to adhesion of ice & gum formation caused by atmospheric moisture and resinous vapors. Thus assuring protection against pallet sticking to the seating surface.

The carefully constructed seat and pallet assembly offer superior combination for High flow capacity with minimum over pressure.

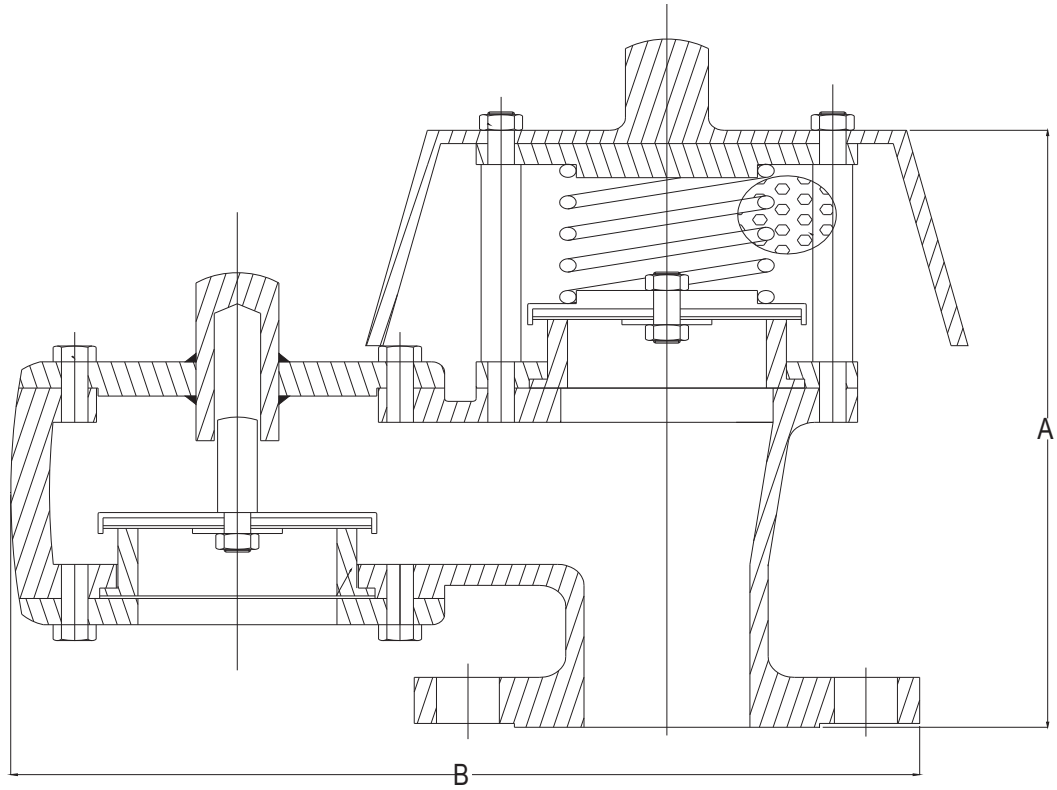
Vertical central guiding system ensures the proper alignment of seating surface and vertical lift of pallet provides maximum flow.

All pre'con products are inspected and tested in house to meet all critical requirements of customer.

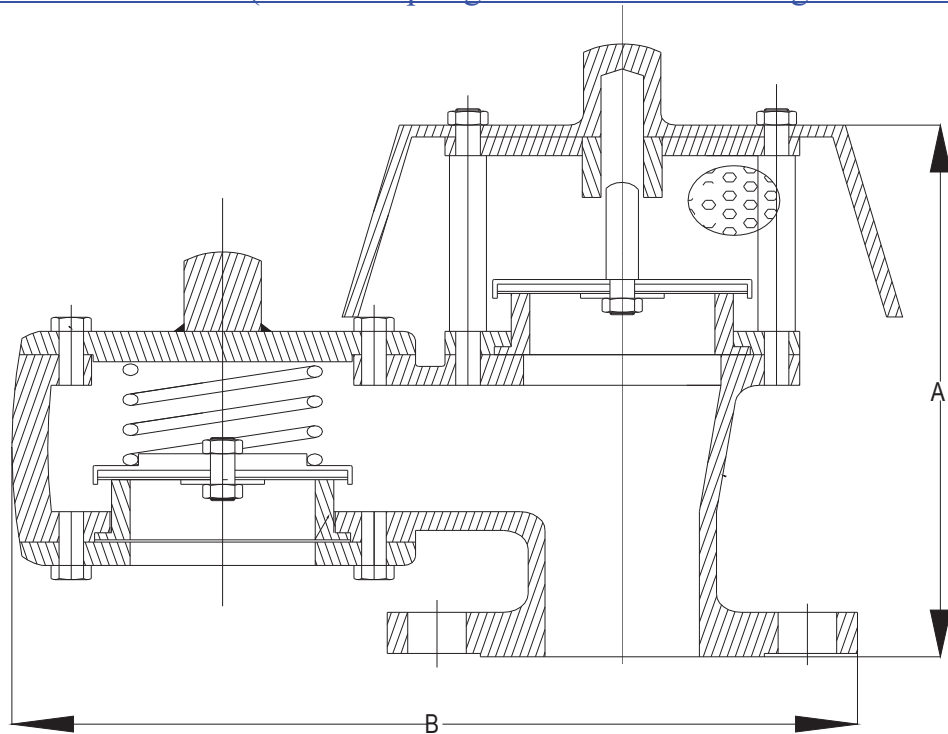
The venting capacities certified in accordance with API /ISO and EN standard.



PFCI / BV/ 2046 (Pressure & Vacuum Spring Loaded)



[PFCV / BV / 2046 \(Pressure Spring Loaded Vacuum Weight Loaded\)](#)



[PFCV / BV / 2046 \(Pressure Weight Loaded Vacuum Spring Loaded\)](#)